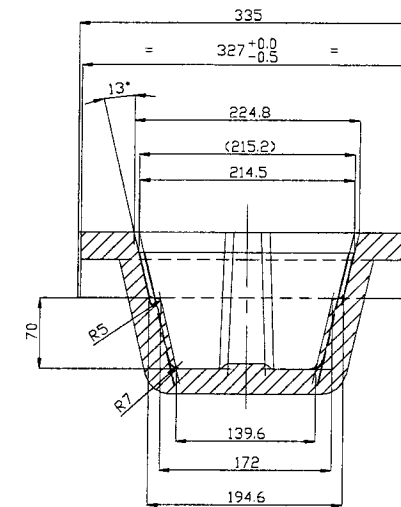
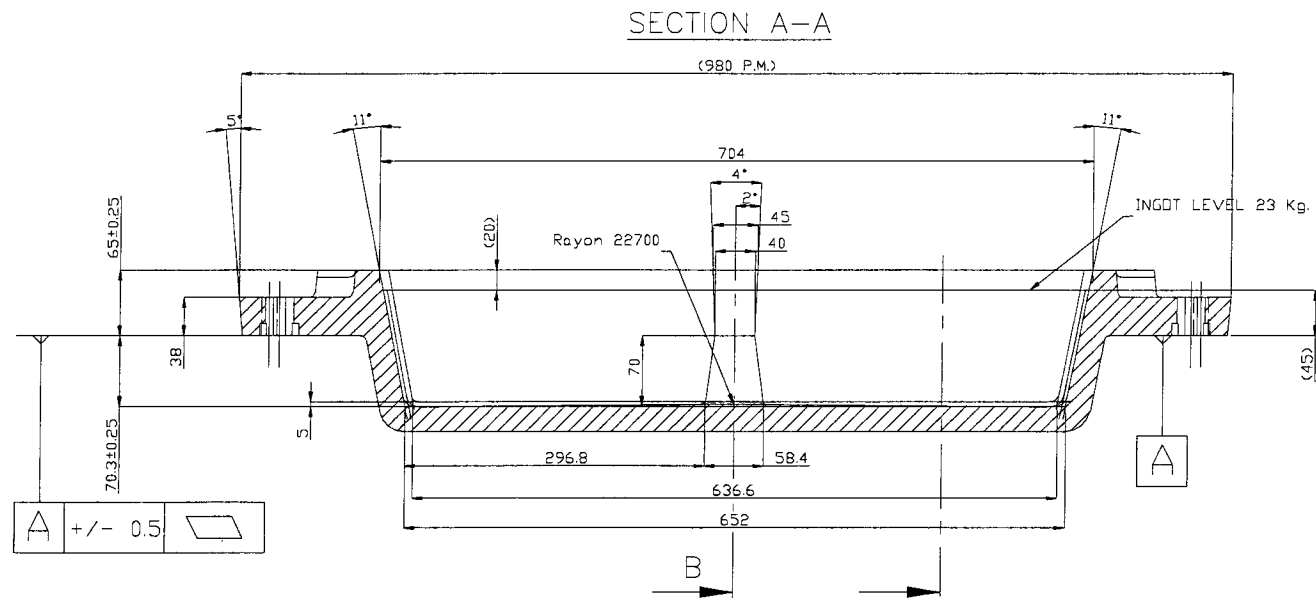
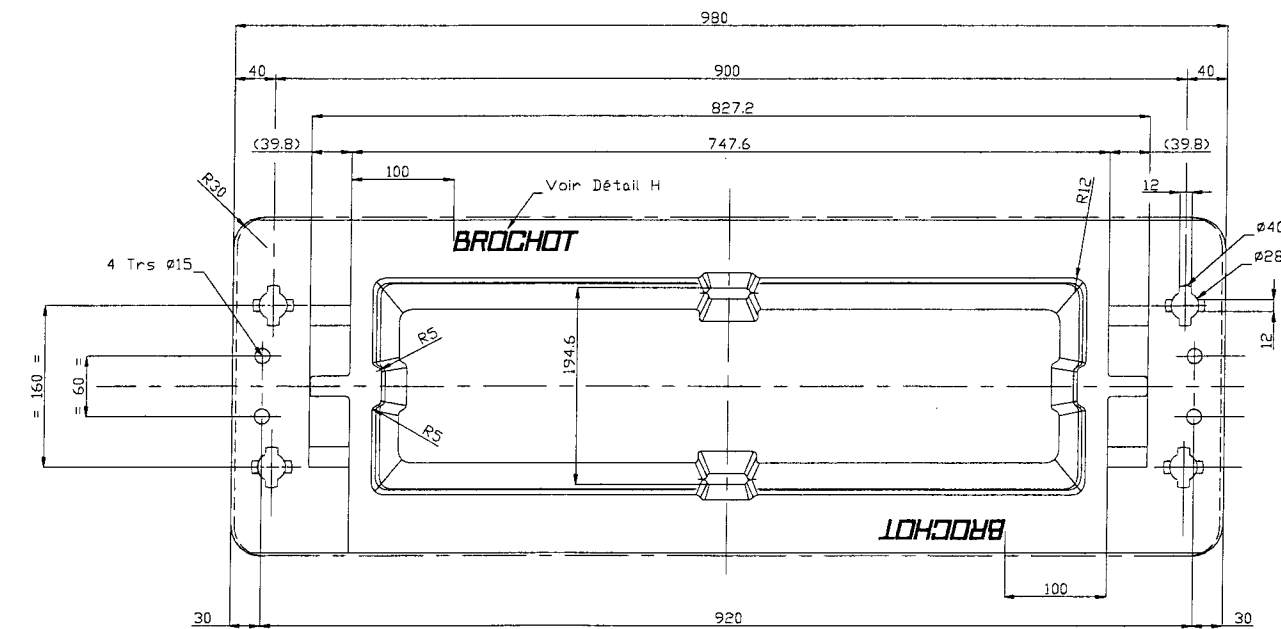


SECTION B

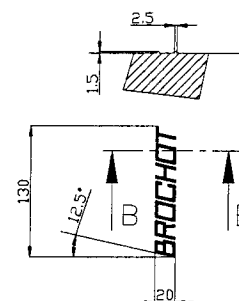


SECTION C



Détail H ECH. 1/1

SECTION B-B



RAYONS NON COTES = 5
 EPAISSEURS CONSTANTES = 25
 ETAT SURFACE 12.5
 ETAT SURFACE MACHINE 32
 DEPUILLES NON COTES 5
 TOL GEN TF15 EN ACCORD NF 32-013

DOCUMENT NUMBER	REV
02050-SA-010-0006	XX

SM_g Project Stanwell Magnesium Project	
CERTIFIED SUPPLIER DATA STAMP	
Supplier Data No. <u>02050-SA-010-0006/02</u>	
ACCEPTED AS FINAL CERTIFIED DATA YES <input checked="" type="checkbox"/> NO <input type="checkbox"/> Revise & Resubmit.	
NAME <u>WOLIN WARD</u>	
SIGNATURE <u>Wolin Ward</u>	DATE <u>3/14/03</u>
THIS ACCEPTANCE DOES NOT RELIEVE THE SUPPLIER/CONTRACTOR OF ITS RESPONSIBILITY OR LIABILITY UNDER THE PO/CONTRACT	
CERTIFIED INFORMATION TO BE INCLUDED IN IOM/MDR	

REV	DATE	DESCRIPTION	BY	CHKD
01	01/17/02	REV	SM	SM
02	01/20/02	PROCESSED	SM	SM
03	01/20/02	PROCESSED	SM	SM
04	01/20/02	PROCESSED	SM	SM

BROCHOT SA Stanwell Magnesium Project
INGOT MOULD
TRAPEZOIDAL 23 Kg.
Stanwell Magnesium Project

Article: P012638
 183,015000,00,0

ARTICLE:P012638