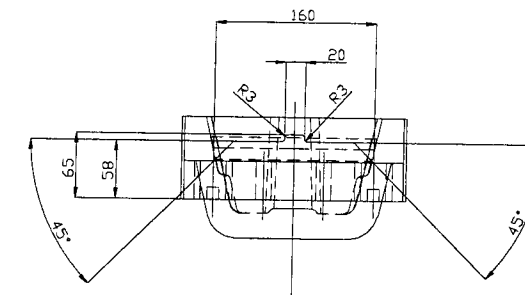
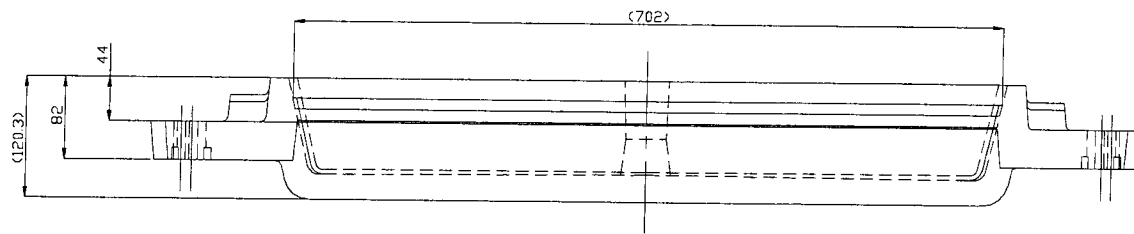
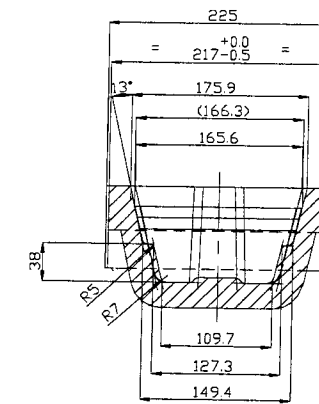
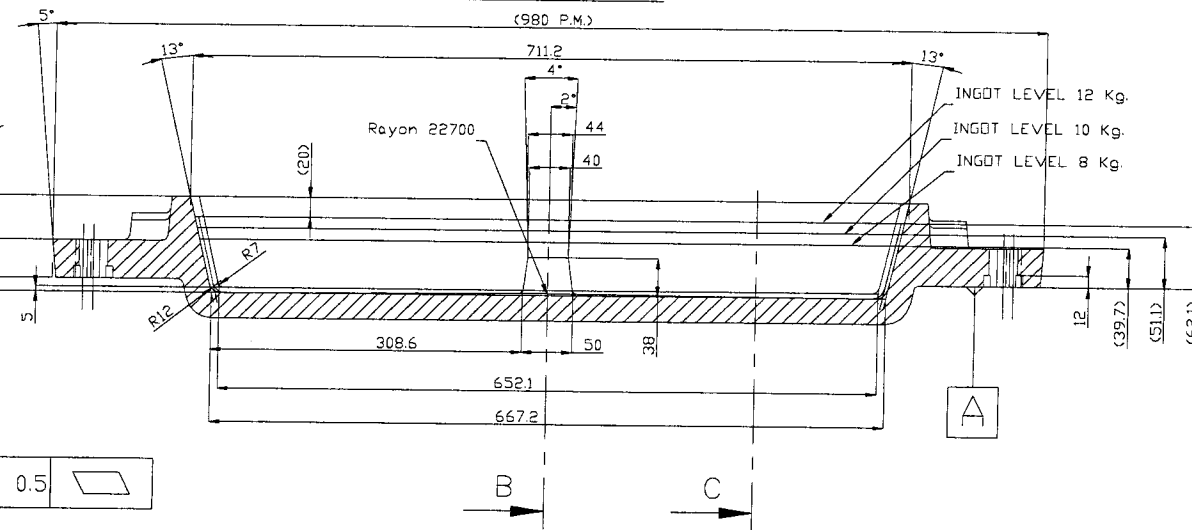


VIEW F



SECTION B

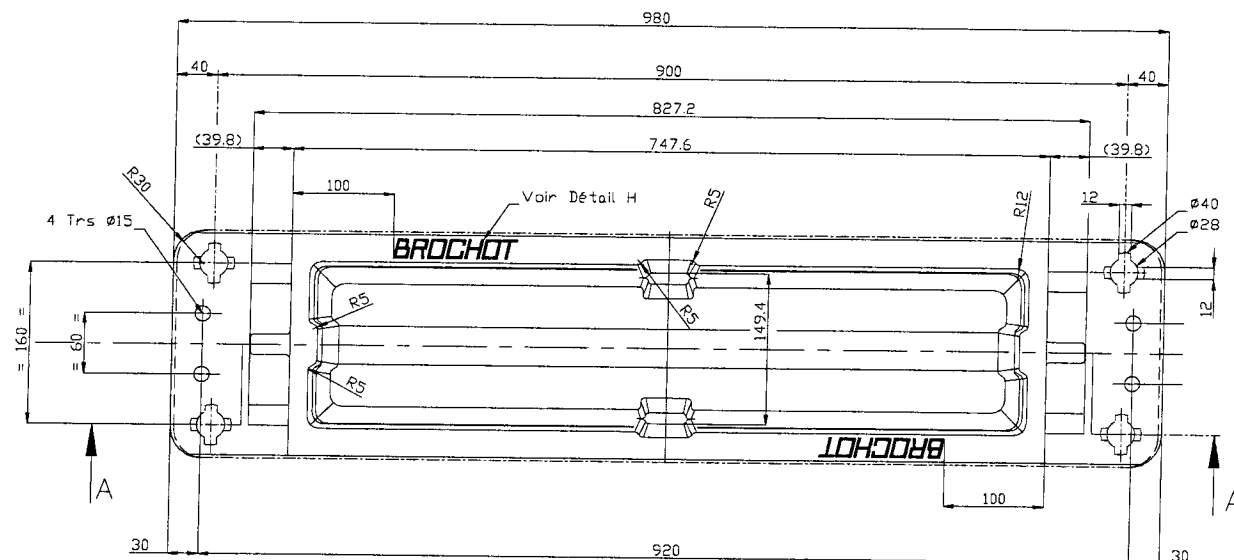
SECTION A-A



SECTION C

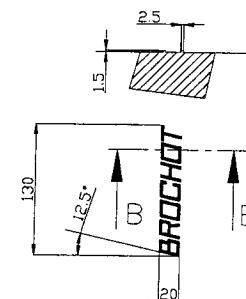
| | |
|--|----------------------|
| SM_g Project Stanwell Magnesium Project | |
| CERTIFIED SUPPLIER DATA STAMP | |
| Supplier Data No. <i>Q2050-SA-010-0007/02</i> | |
| ACCEPTED AS FINAL CERTIFIED DATA YES <input checked="" type="checkbox"/> NO <input type="checkbox"/> Revise & Resubmit. | |
| NAME <i>LOWIN GARD</i> | DATE <i>31/10/08</i> |
| SIGNATURE <i>[Signature]</i> | |
| THIS ACCEPTANCE DOES NOT RELIEVE THE SUPPLIER/CONTRACTOR OF ITS RESPONSIBILITY OR LIABILITY UNDER THE PQ/CONTRACT | |
| CERTIFIED INFORMATION TO BE INCLUDED IN IOM/MDR | |

A +/- 0.5



Détail H ECH. 1/1

SECTION B-B



RAYONS NON COTES = 5
EPAISSEURS CONSTANTES = 25
ETAT SURFACE $12.5^{\sqrt{}}$
ETAT SURFACE MACHINE $32^{\sqrt{}}$
DEPOUILLES NON COTES 5°
TOL GEN TF15 EN ACCORD NF 32-013

| DOCUMENT NUMBER | REV |
|-------------------|-----|
| Q2050-SA-010-0007 | XX |

| | | | | |
|----------|----------|----------|----|---|
| 17/04/08 | JP | JP | JP | LANGEUR USINE 217 (ensemble client) AS BALT |
| 18/04/08 | PROBLEME | REV | JP | LANGEUR USINE 217 AS LEO 215 |
| 19/04/08 | PROBLEME | AP | JP | REVISE DETAILLE SUR COTE 82 |
| 22/07/08 | ALY | PROBLEME | JP | Creation - 8kg Pique FABRICATION |

BROCHOT SA Centre d'usinage et de soudure
 63397, Route de la Vallée, 63000 Clermont-Ferrand
 Tel: 33 (0)1 47 82 11 88 Fax: 33 (0)1 47 82 11 89
 Email: contact@brochot.com

Syprim
 berger
 Raffin

INGOT MOULD
TRAPEZOIDAL 8-10-12 Kg.
Stanwell magnesium Project

Article: P012639
 183 016000 00 0

ARTICLE:P012639